

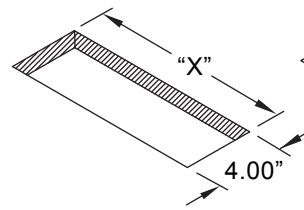
BYRNE

INSTALLATION INSTRUCTIONS FOR MHO™ & MHO²™

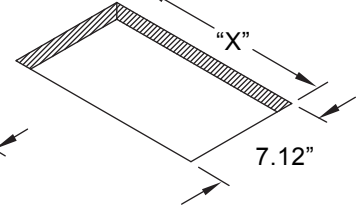
Install data jacks as described in the installation instructions provided with the data adapters, BE01421

Mho	Mho2		"X" Dim.
BE01820-M	BE01820-M2	2 ports	5.00
BE01820-M	BE01820-M2	3 ports	6.50
BE01820-M	BE01820-M2	4 ports	8.00
BE01820-M	BE01820-M2	5 ports	9.50
BE01820-M	BE01820-M2	6 ports	11.00
BE01820-M	BE01820-M2	7 ports	12.50
BE01820-M	BE01820-M2	8 ports	14.00

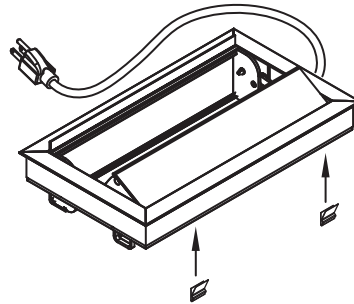
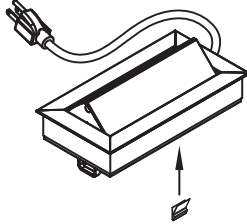
Mho



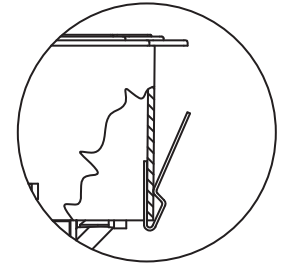
Mho2



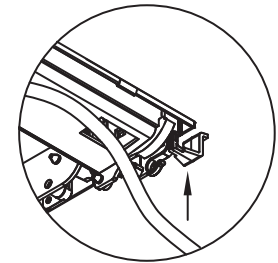
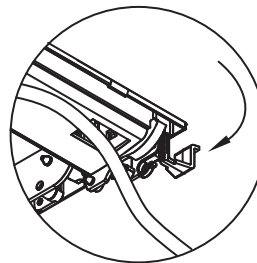
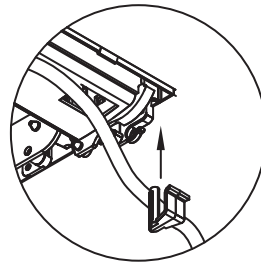
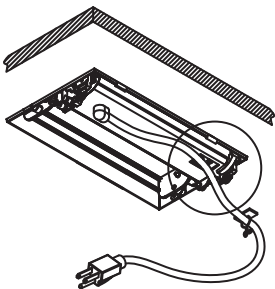
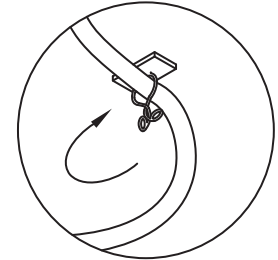
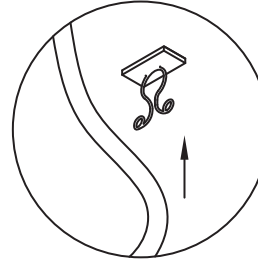
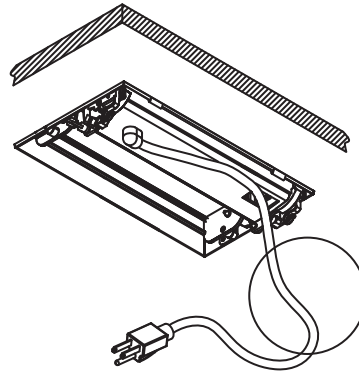
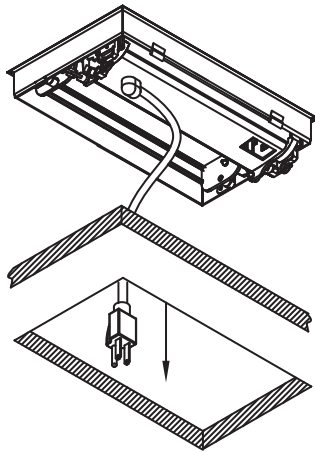
For up to 4 ports, center clip on back of unit base.



For 5-8 ports, attach 2 clips, one at each end on back of unit base.



Note: Metal clips are for use in hard surface material only as an optional mounting means.



Note: In a conduit application; conduit should be supported according to local code.